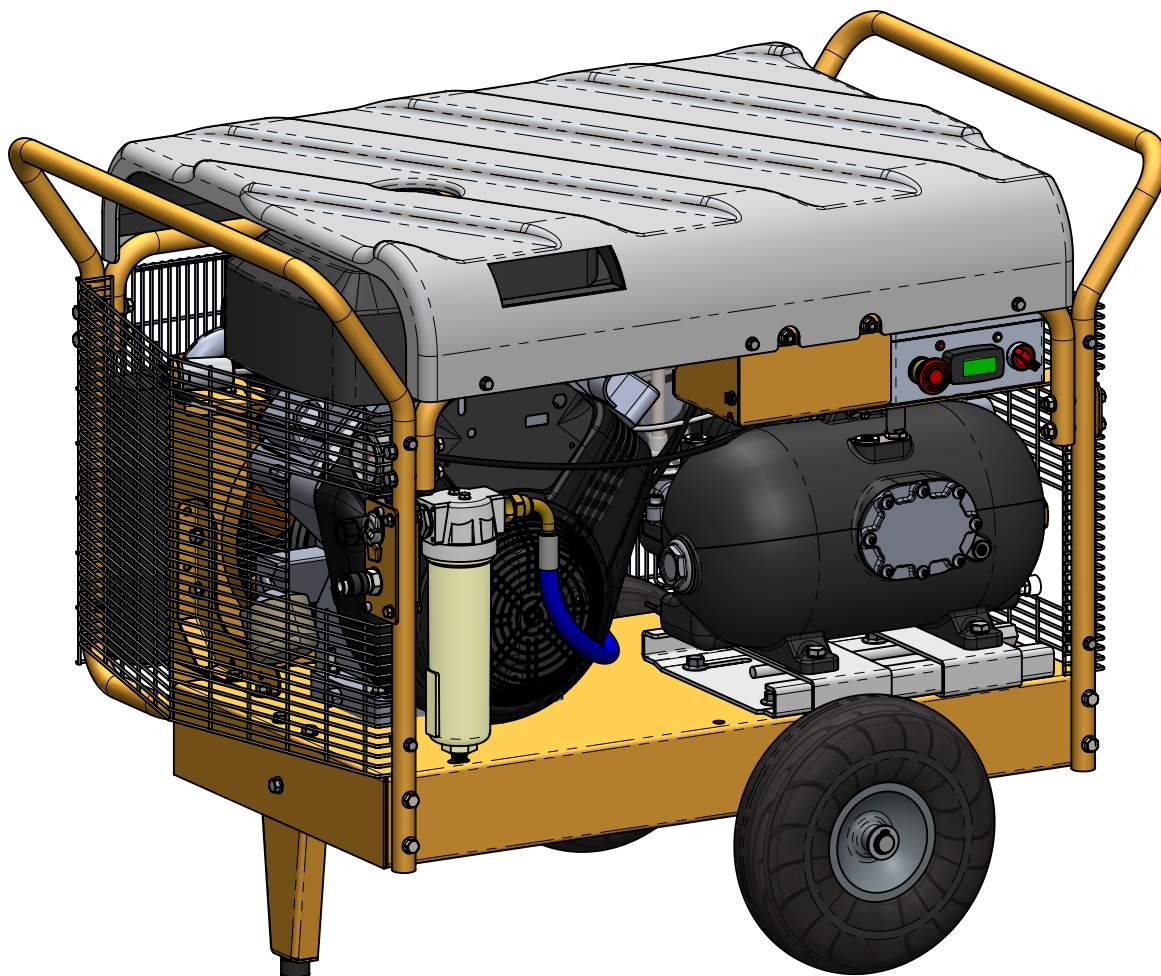
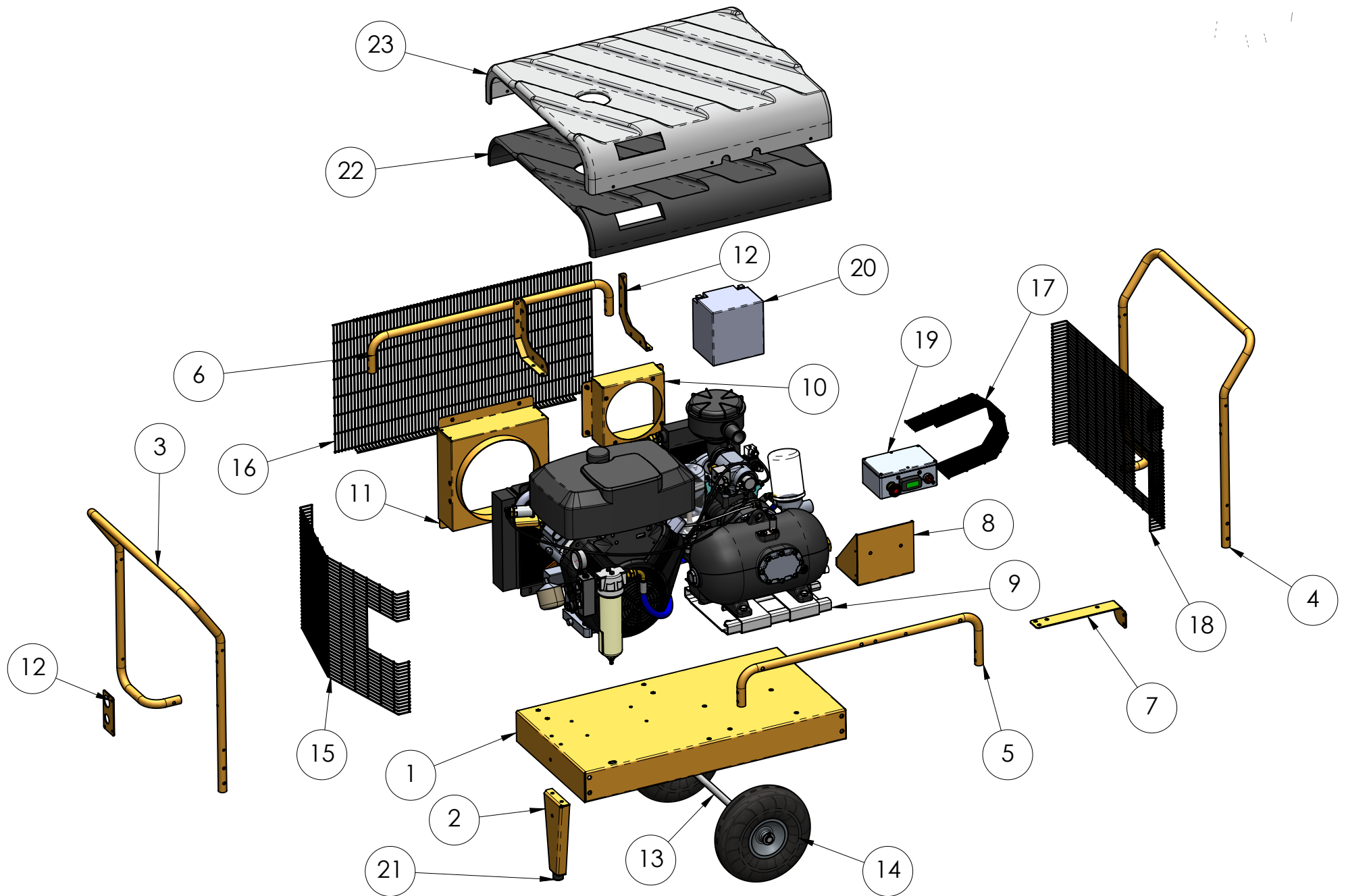


25303105
Aerotec MOBIPACK 14 - 10 bar



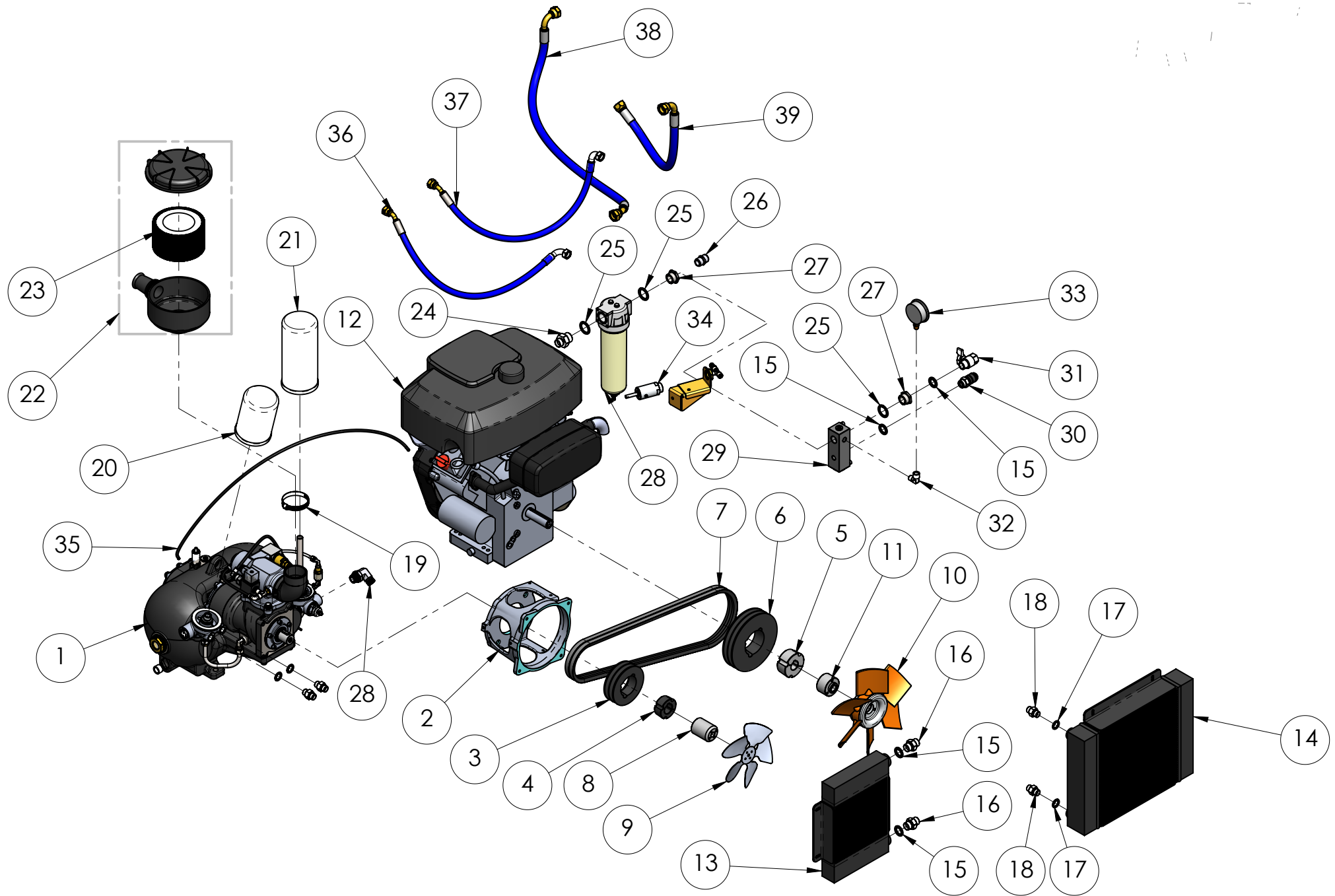


--	--	--	--

N	Codice Code	Q.tà Q.ty	Descrizione	Description	(*) Rec.
1	A01Z2465	1	BASAMENTO	BASEMENT	
2	A01Z2473	1	PIEDE APPOGGIO TELAIO	FRAME SUPPORT FOOT	
3	A01Z2468	1	TUBOLARE TELAIO PIEGATO LATO MOTORE	TUBULAR FRAME BENT ON ENGINE SIDE	
4	A01Z2607	1	TUBOLARE TELAIO PIEGATO LATO PACKSMART	PACKSMART SIDE TUBULAR FRAME	
5	A01Z2608	1	TUBOLARE LATERALE MAGG. TELAIO	INCREASED SIDE TUBULAR FRAME	
6	A01Z2470	1	TUBOLARE LATERALE TELAIO	SIDE TUBULAR FRAME	
7	A01Z2558	1	STAFFA RINFORZO SCAT.BATTERIA	BATTERY BOX REINFORCMENT BRACKET	
8	A01Z2471	1	CASSETTA SUPPORTO BATTERIA	BATTERY SUPPORT BOX	
9	D04T3085	1	SLITTA TENDITRICE	TENSION SLIDE	
10	A01Z2475	1	CONVOGLIATORE ARIA	AIR CONVEYOR	
11	A01Z2466	1	CONVOGLIATORE OLIO	OIL CONVEYOR	
12	A01Z2469	2	STAFFA SUPPORTO CONVOGLIATORE	CONVEYOR SUPPORT BRACKET	
13	A01Z2508	1	ALBERO TELAIO	FRAME SHAFT	
14	F06R9034	2	RUOTA	WHEEL	
15	A01Z2602	1	GRIGLIA PROTEZIONE LATO ACCELERATORE	ACCELERATOR SIDE PROTECTION GRID	
16	A01Z2507	1	GRIGLIA PROTEZIONE	PROTECTION GRID	
17	A01Z2611	1	GRIGLIA PROTEZIONE LANTERNA	LANTERN PROTECTION GRID	
18	A01Z2603	1	GRIGLIA PROTEZIONE LATO PACKSMART	PACKSMART SIDE PROTECTION GRID	
19	C03U4194	1	CASSETTA ELETTRICA	ELECTRIC BOX	
20	C03U8003	1	BATTERIA	BATTERY	
21	F06R7064	1	ANTIVIBRANTE	ANTIVIBRATION	
22	G07Q3012	1	PANNELLO FONOASSORBENTE	SOUND ABSORBING PANEL	
23	A01Z0539	1	COPERTURA ABS	ABS COVER	

(*) Ricambi consigliati

Recommended spare parts



--	--	--

N	Codice Code	Q.tà Q.ty	Descrizione	Description	(*) Rec.
1	M10M0189	1	PACKSMART V75XC	PACKSMART V75XC	
2	D04T4027	1	LANTERNA	LANTERN	
3	RICAMBI TRASMISSIONE PAGINA SEGUENTE TRANSMISSION SPARE PARTS ON NEXT PAGE	1	PULEGGIA LATO GRUPPO VITE	SCREW UNIT SIDE PULLEY	
4		1	BUSSOLA CONICA 40.25	TAPERED COMPASS 40.25	
5		1	BUSSOLCA CONICA 50.30	TAPERED COMPASS 50.30	
6		1	PULEGGIA LATO MOTORE	MOTOR SIDE PULLEY	
7		2	CINGHIA TRAPEZOIDALE	BELT	2
8	E05S9009	1	ADATTATORE VENTOLA Ø170	Ø170 FAN ADAPTER	
9	E05S2032	1	VENTOLA Ø170	FAN Ø170	
10	E05S2027	1	VENTOLA Ø250	FAN Ø250	
11	E05S9010	1	ADATTATORE VENTOLA Ø250	Ø250 FAN ADAPTER	
12	B02V9013	1	MOTORE A SCOPPIO 14kW	14kW PETROL ENGINE	
13	E05S0126	1	SCAMBIATORE ARIA	AIR EXCHANGER	
14	E05S0125	1	SCAMBIATORE OLIO	OIL EXCHANGER	
15	F06R7338	4	RONDELLA BONDED SEALS 1/2"	1/2" BONDED SEALS WASHER	
16	F06R2101	2	NIPPLO DI GIUNZIONE 1/2"X1/2"	1/2"X1/2" JOINT NIPPLE	
17	F06R7289	4	RONDELLA BONDED SEALS 3/8"	3/8" BONDED SEALS WASHER	
18	F06R2100	4	NIPPLO DI GIUNZIONE 3/8"	3/8" JOINT NIPPLE	
19	F06R7169	2	FASCETTA MEB	MEB CLAMP	
20	G07Q1000	1	FILTRO OLIO	OIL FILTER	1
21	G07Q1001	1	FILTRO DISOLEATORE	OIL SEPARATOR FILTER	1
22	G07Q0143	1	FILTRO DI ASPIRAZIONE	ASPIRATION FILTER	
23	G07Q0123	1	CARTUCCIA FILTRO ASPIRAZIONE	INTAKE FILTER CARTRIDGE	1
24	F06R2105	1	NIPPLO RIDOTTO 3/4"X1/2"	3/4"X1/2" REDUCED NIPPLE	
25	F06R7339	3	RONDELLA BONDED SEALS 3/4"	3/4" BONDED SEALS WASHER	
26	F06R2468	1	NIPPLO CONICO 1/2"	1/2" CONICAL NIPPLE	
27	F06R2144	2	RIDUZIONE 3/4"X1/2"	3/4"X1/2" REDUCTION	
28	H08P0310	1	SEPARATORE DI CONDENSA	CONDENSATE SEPARATOR	
29	F06R9157	1	BLOCCHETTO DISTRIBUTORE ARIA	AIR BLOCK DISTRIBUTOR	
30	F06R9043	1	INNESTO RAPIDO	RAPID CONNECTION	
31	F06R9007	1	RUBINETTO A SFERA	BALL VALVE	
32	F06R2118	1	RACCORDO L 1/4"MX1/4"F	L FITTING 1/4"MX1/4"F	
33	F06R2374	1	MANOMETRO	MANOMETER	
34	D04T6010	1	CILINDRO ACCELERATORE	ACCELERATOR CYLINDER	
35	F06R0110	1	TUBO RILSAN	RILSAN TUBE	
36	F06R0391	1	TUBO FLEX 3/8" L670	3/8" FLEX TUBE L670	1
37	F06R0390	1	TUBO FLEX 3/8" L620	3/8" FLEX TUBE L620	1
38	F06R0389	1	TUBO FLEX 1/2" L970	1/2" FLEX TUBE L970	1
39	F06R0130	1	TUBO FLEX 1/2" L510	1/2" FLEX TUBE L510	1

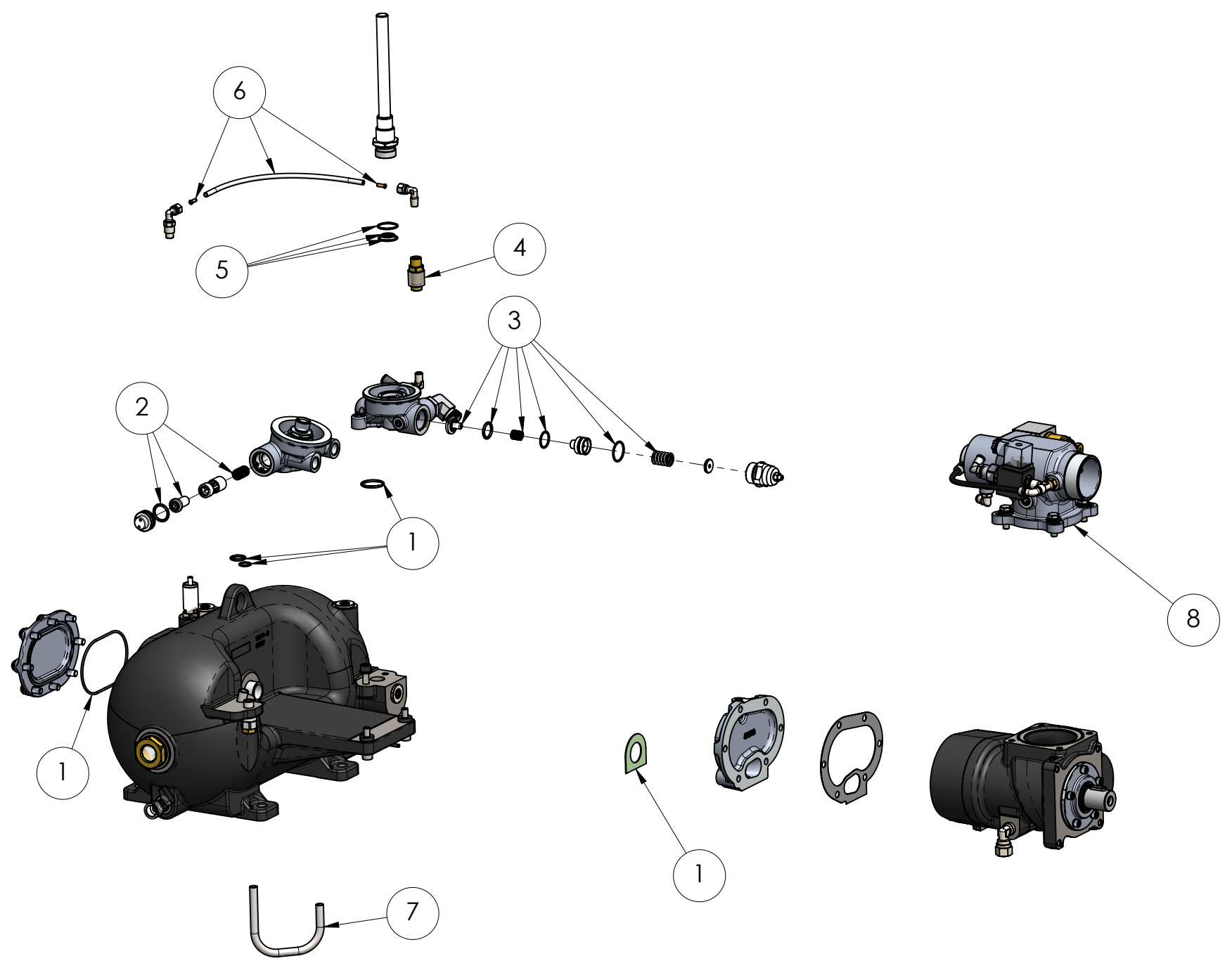
(*) Ricambi consigliati

Recommended spare parts

TRASMISSIONE PER KPM 14 KPM 14 TRASMISSION					
P (bar)	(3) PULEGGIA VITE SCREW PULLEY	(4) BUSSOLA VITE SCREW BUSH	(6) PULEGGIA MOTORE MOTOR PULLEY	(5) BUSSOLA MOTORE MOTOR BUSH	(7) CINGHIA BELT
8	D04T0174	D04T1006	D04T0175	D04T1028	D04T2055*
10	D04T0174	D04T1006	D04T0175	D04T1028	D04T2055*
13	D04T0174	D04T1006	D04T0179	D04T1030	D04T2056*

(*) Ricambi consigliati

Recommended spare parts

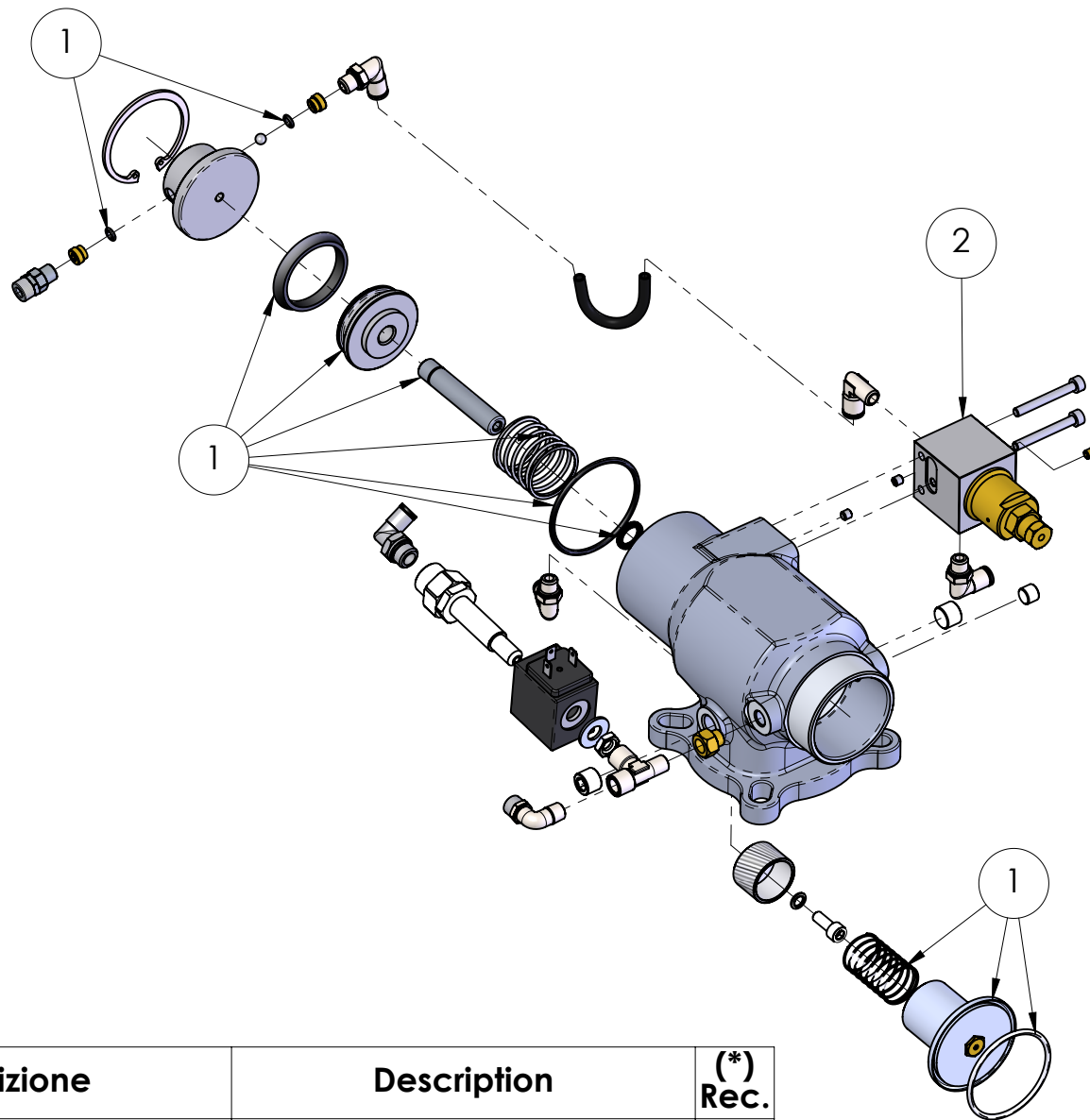


--	--	--	--

N	Codice Code	Descrizione	Description	(*) Rec.
1	N11L3269	KIT GUARNIZIONI SERBATOIO PACKSMART V75XC	TANK O-RING PACK SMART V75XC SPARE PARTS KIT	
2	N11L3040	KIT 71° V.TERM. V60-V75	THERMOSTATIC VALVE 71° SPARE PARTS KIT	1
3	N11L3011	KIT RICAMBI V.M.P.G10 (1/2-3/4)	V.M.P. SPARE PARTS KIT	1
4	N11L3105	VISORE REC. OLIO (Ø1.2)	OIL RECOVERY VIEWER (Ø1.2)	
5	N11L3010	KIT RICAMBI NIPPLO SEP.M22-M24	SEPARATOR NIPPLE M22-24 SPARE PARTS KIT	
6	N11L3200	KIT RACCORDI RECUPERO OLIO PACKSMART "C"	PACKSMART "C" SERIES OIL RECOVERY SPARE PARTS KIT	
7	N11L3270	KIT RACCORDI INIEZIONE OLIO PACK SMART V75C	PACK SMART V75C INJECTION OIL FITTING SPARE PARTS KIT	
8	M10M0223	REG. ASP. C40Pna/T 24V	C40Pna COMPLETE INLET VALVE	

(*) Ricambi consigliati

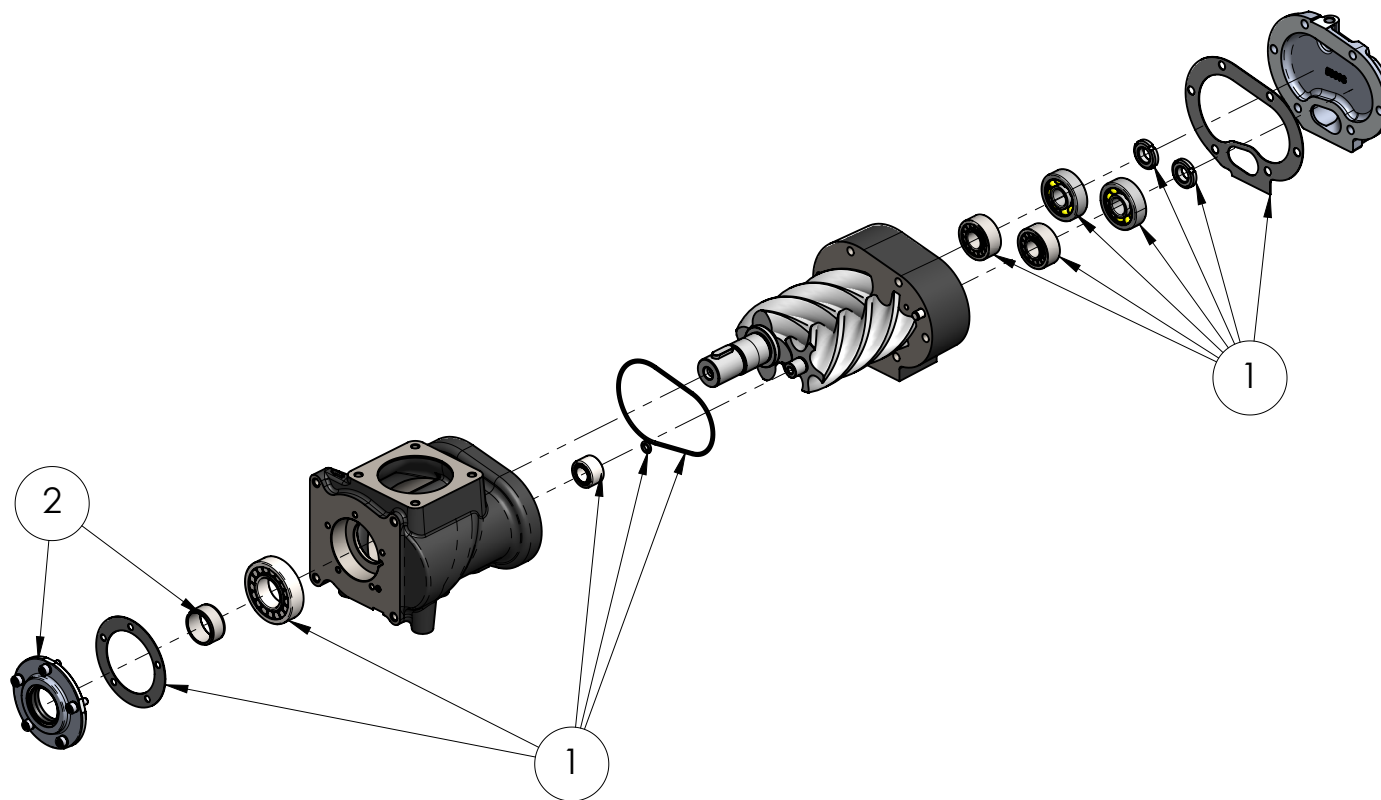
Recommended spare parts



N	Codice Code	Descrizione	Description	(*) Rec.
1	N11L3349	KIT RICAMBI C40Pna	SPARE PART KIT C40Pna	1
2	N11L3350	BLOCC. COM. C40Pna	CONTROL UNIT BLOCK	

(*) Ricambi consigliati

Recommended spare parts



N	Codice Code	Descrizione	Description	(*) Rec.
1	N11L3352	KIT RICAMBI CUSCINETTI V75X	BEARING SPARE PARTS KIT V75X	
2	N11L3353	KIT RICAMBI PARAOLIO V75X	SHAFT-SEAL SPARE PARTS KIT	

(*) Ricambi consigliati
Recommended spare parts

HOURS	RICAMBI	SPARE PARTS	MAINTENANCE KIT (MINERAL OIL)	MAINTENANCE KIT (SYNTHETIC OIL)	MAINTENANCE KIT WITHOUT OIL
2000	Filtro aria Filtro olio Filtro disoleatore Olio	Inlet filter cartridge Oil filter Air/oil separator filter Oil	N11L0506	N11L0246	N11L0246
4000	Filtro aria Filtro olio Filtro disoleatore Olio Kit valvola termostatica Kit valvola minima pressione Kit regolatore aspirazione Cinghia trapezoidale	Inlet filter cartridge Oil filter Air/oil separator filter Oil Thermostatic valve spare parts kit Minimum pressure valve spare parts kit Intake valve spare parts kit V-belt	N11L0507	N11L0507-01	N11L0247