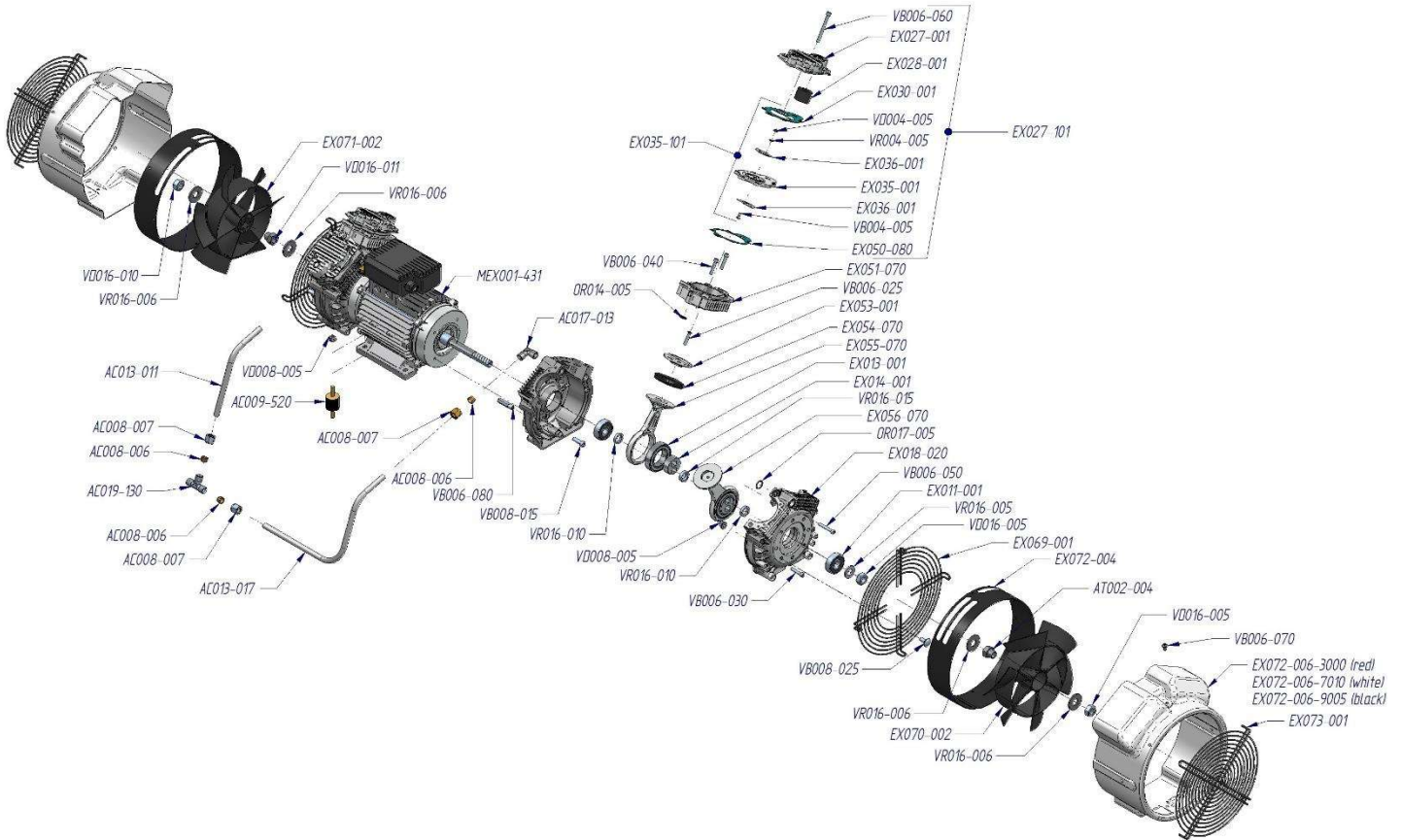


CODE	DESCRIPTION	CODE	DESCRIPTION	CODE	DESCRIPTION
AC003-027	Safety Valve	AC016-004	Reduction	HR701-012	Washer
AC004-021	Pressure regulator 1/2" G	AC016-222	Pipe Filling Straight	OR058-005	O-ring
AC005-001	Manometer 40 mm 1/8" Bar/Psi	AC026-065	Flexible tube	PA116-001	Transductor
AC006-103	Ball valve	AC017-412	Pipe fitting "L"	PA116-003	Connector
AC008-010	Not return valve	AC026-066	Flexible tube	VB003-010	Screw
AC009-110	Antivibration	AC030-927-9010	Tank EXTREME 4D 270L "WHITE"	VB008-016	Screw
AC009-520	No-vibration rubber	AC030-950-9010	Tank EXTREME 4D 500L "WHITE"	VD008-005	Nut
AC012-208	Rilsan tube	AC031-928-7016	Metallic base	VD010-010	Nut
AC014-002	Closure plug	AC032-414-9010	Metallic base	VR008-005	Washer
AC014-004	Closure plug	AC032-502-7016	Metallic base	VR010-010	Washer
AC014-101	Closure plug	AC032-503-7016	Metallic base	DRYER D600	Dryer D600
AC015-004	Nipple	AC032-504	Electronic Control multipower (3 UNIT)	DRYER M400	Dryer M400
AC016-003	Reduction	AC032-505	Electronic Control multipower (2 UNIT)		



CODE	DESCRIPTION	CODE	DESCRIPTION	CODE	DESCRIPTION
AC008-006	Ogive for aluminum tube 12mm	EX050-080	Gasket cylinder 0,8	VB006-040	Screw
AC008-007	Nut for tube 12 mm aluminum	EX051-070	Cylinder	VB006-050	Screw
AC009-520	No-vibration rubber	EX053-001	Piston top	VB006-060	Screw
AC013-011	Aluminum tube	EX054-070	Piston seal	VB006-080	Screw
AC013-017	Aluminum tube	EX055-070	Connecting rod	VB008-015	Screw
AC017-130	Pipe felling "L"	EX056-070	Complete connecting rod	VB008-025	Screw
AC019-130	Pipe felling "T"	EX069-001	Metal cover fan	VD004-005	Nut
AT002-004	Nut for plastic fan	EX070-002	Plastic fan	VD008-005	Nut
EX011-001	Bearing for compressor monobloc	EX071-002	Plastic fan	VD016-005	Nut
EX013-001	Bearing for connecting rod	EX072-004	Metal cover fan	VD016-010	Nut
EX014-001	Handspike socket	EX072-006-3000	Plastic cover fan (RED)	VD016-011	Nut
EX018-020	Compressor monobloc	EX072-006-7010	Plastic cover fan (WHITE)	VR004-005	Washer
EX027-001	Head	EX072-006-9005	Plastic cover fan (BLACK)	VR016-005	Washer
EX027-101	Complete Head	EX073-001	Metal protection	VR016-006	Washer
EX028-001	Filter	MEX001-431	Electric motor 3,0 Hp 380 Volt 50 Hz 3 Phase		
EX030-001	Gasket head	OR014-005	O-ring		
EX035-001	Valve plate	OR017-005	O-ring		
EX035-101	Valve plate complete	VB004-005	Screw		
EX036-001	Valve	VB006-005	Screw		
EX050-030	Gasket cylinder 0,3	VB006-025	Screw		
EX050-050	Gasket cylinder 0,5	VB006-030	Screw		