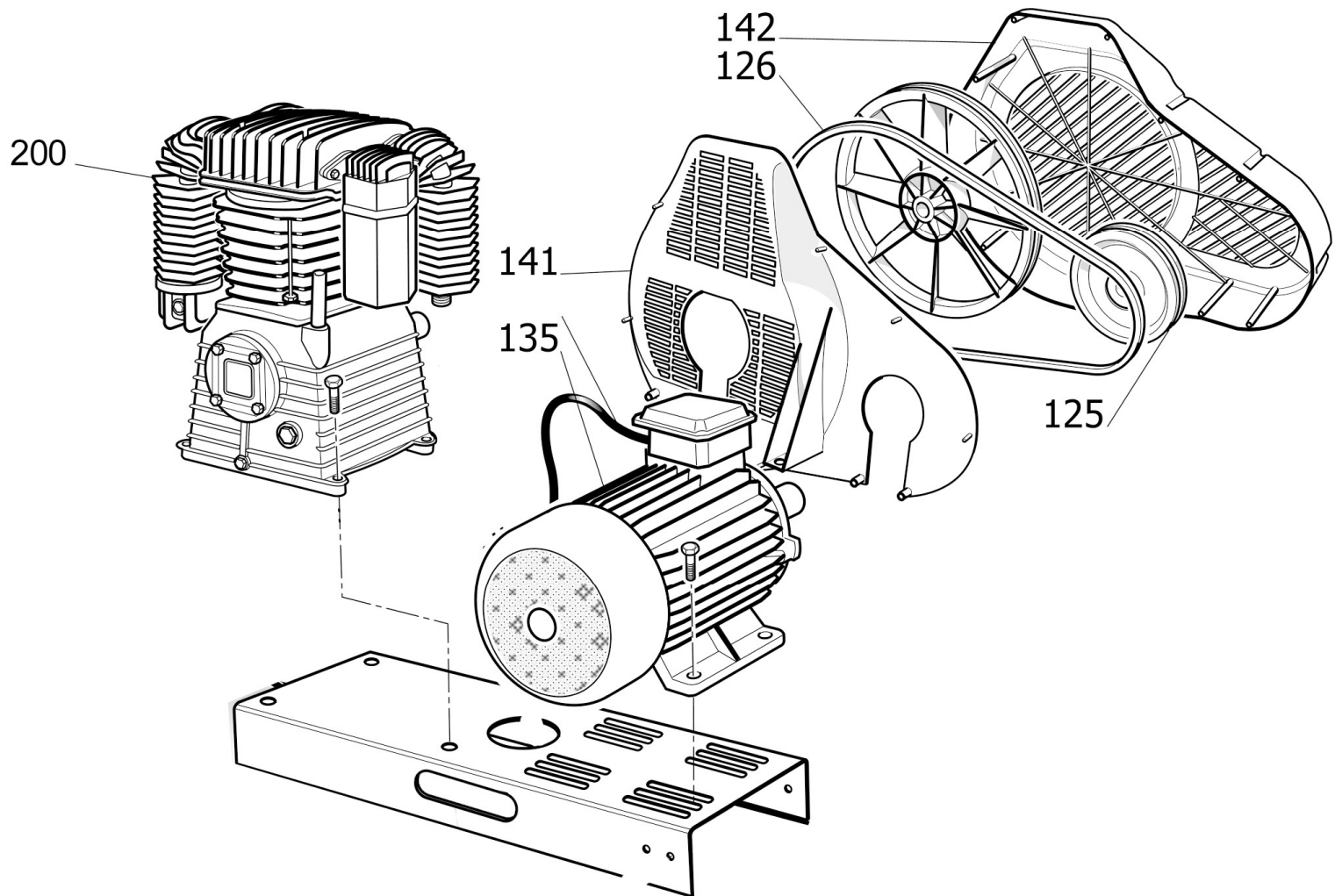


# SHJN701MDB056

BASIS PRO K28/BS T5,5 4KW 400V



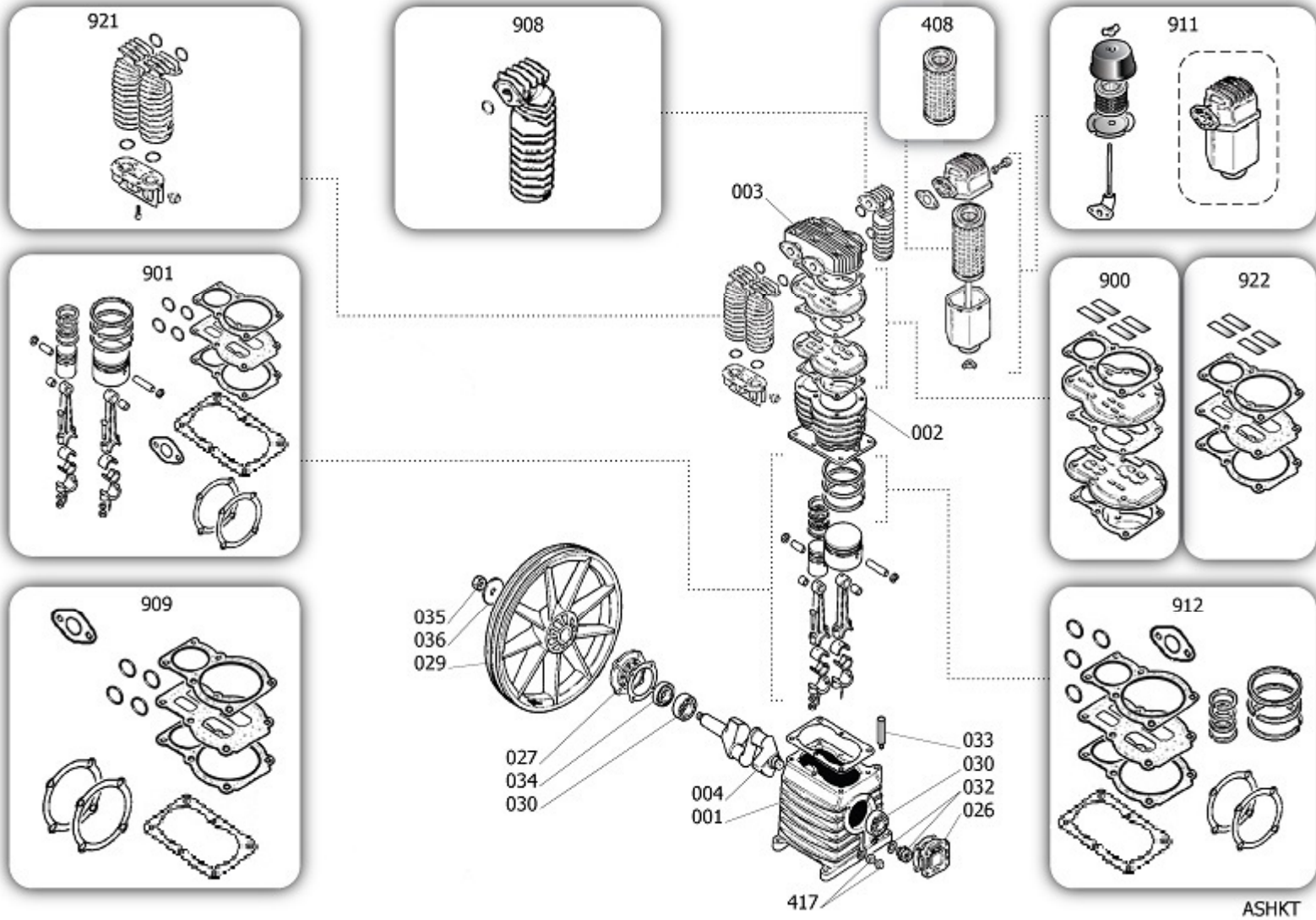
# SHJN701MDB056

BASIS PRO K28/BS T5,5 4KW 400V

| <b>Pos</b> | <b>Component</b> |                | <b>MU</b> | <b>Multiplier</b> |
|------------|------------------|----------------|-----------|-------------------|
| 125        | 9434014          | RIEMENSCHLEIBE | PZ        | 1,0               |
| 126        | 9075888          | RIEMEN POLY V  | PZ        | 1,0               |
| 135        | 847S00A          | MOTOR          | PZ        | 1,0               |
| 141        | 9038715          | FORDERER       | PZ        | 1,0               |
| 142        | 9038714          | RIEMENSCHUTZ   | PZ        | 1,0               |
| 200        | SH0000A          | BARE PUMP      | PZ        | 1,0               |
| 469        | N011455          | MOTORBLECH     | PZ        | 1,0               |

# SH0000A

## BARE PUMP



ASHKT

# SH0000A

## BARE PUMP

| Pos | Component     | MU                             | Multiplier |
|-----|---------------|--------------------------------|------------|
| 1   | \$33104600    | KURBELGEH[USE                  | PZ 1,0     |
| 2   | \$31608740SGL | ZYLINDER                       | PZ 1,0     |
| 3   | SL61400       | KOPF                           | PZ 1,0     |
| 4   | SG61200       | WELLE                          | PZ 1,0     |
| 4   | SG61290       | WELLE                          | PZ 1,0     |
| 26  | \$30400830    | VORDERER DECKEL                | PZ 1,0     |
| 27  | \$30400860    | HINTERE HALTERUNG F]R GEH[USE  | PZ 1,0     |
| 29  | \$31003080    | SCHWUNGRAD                     | PZ 1,0     |
| 30  | \$30300030    | KUGELLAGER 6205 K8-K28         | PZ 2,0     |
| 32  | \$36531150    | \LKONTROLLLEUCHTE              | PZ 1,0     |
| 33  | \$36507050    | \LSTOPFEN                      | PZ 1,0     |
| 34  | \$30300040    | DICHTRING                      | PZ 1,0     |
| 35  | \$37400720    | SCHRAUBE SCHWUNGRAD            | PZ 1,0     |
| 36  | \$37500730    | UNTERLEGSCHIEBE SCHWUNGRAD     | PZ 1,0     |
| 408 | 9434N01       | MPK ELEM.FILTR.EXA K17-K50     | PZ 1,0     |
| 417 | \$36531140    | \LSTOPFEN                      | PZ 1,0     |
| 900 | 9434A13       | MPK PIASTRA VALVOLE K28        | PZ 1,0     |
| 901 | 9434B17       | MPK PISTONE-BIELLA K28         | PZ 1,0     |
| 908 | 9434E08       | MPK COLLETTORE 1" K11-17-18-25 | PZ 1,0     |
| 909 | 9434F14       | MPK GUARNIZIONI K28            | PZ 1,0     |
| 911 | 9434M01       | LUFTFILTER KIT                 | PZ 1,0     |
| 912 | 9434C16       | MPK SEGMENTI K28               | PZ 1,0     |
| 921 | 9434D02       | MPK COLL.INTERMEDIO K25-28     | PZ 1,0     |
| 922 | 9434H06       | MPK MANUT.PV K28               | PZ 1,0     |