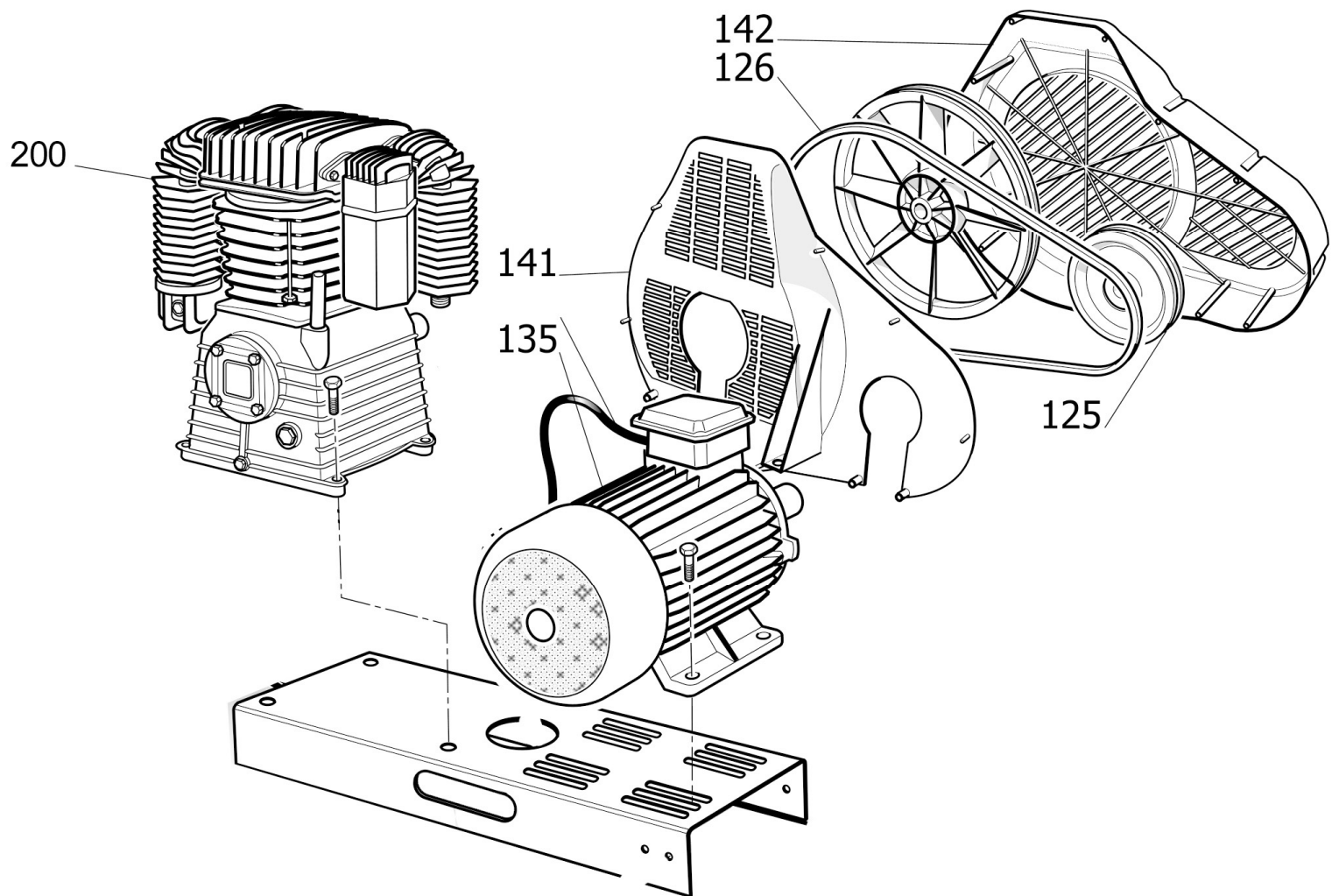


SLJN701MDB071

BASIS PRO K30/BS T5,5-4KW-400V



SLJN701MDB071

BASIS PRO K30/BS T5,5-4KW-400V

Pos	Component		MU	Multiplier
125	9434006	RIEMENSCHLEIBE	PZ	1,0
126	9075878	RIEMEN POLY V	PZ	1,0
135	847T01A	MOTOR	PZ	1,0
142	8343060	RIEMENSCHUTZ	PZ	1,0
200	SL0000A	BARE PUMP	PZ	1,0
469	N011455	MOTORBLECH	PZ	1,0

SL0000A

BARE PUMP

Pos	Component	MU	Multiplier
1	\$33102030	KURBELGEH[USE	PZ 1,0
2	\$31602020SGL	ZYLINDER	PZ 1,0
3	SL61400	KOPF	PZ 1,0
4	SL61200	WELLE	PZ 1,0
26	\$30402740	VORDERER DECKEL	PZ 1,0
27	\$30402800	HINTERE HALTERUNG F]R GEH[USE	PZ 1,0
29	\$31002680	SCHWUNGRAD	PZ 1,0
30	\$30302140	KUGELLAGER 6206 C3	PZ 2,0
32	\$36531150	\LKONTROLLLEUCHTE	PZ 1,0
34	\$30302150	DICHTRING	PZ 1,0
35	\$37403780	SCHRAUBE SCHWUNGRAD	PZ 1,0
36	\$37502450	UNTERLEGSSCHEIBE SCHWUNGRAD	PZ 1,0
408	9434N01	MPK ELEM.FILTR.EXA K17-K50	PZ 1,0
417	\$36531140	\LSTOPFEN	PZ 1,0
418	\$12505950	KIT TAPPO SFIATO	PZ 1,0
900	9434A14	MPK PIASTRA VALVOLE K30	PZ 1,0
901	9434B18	MPK PISTONE-BIELLA K30	PZ 1,0
908	9434E07	MPK COLLETTORE K30	PZ 1,0
909	9434F15	MPK GUARNIZIONI K30	PZ 1,0
911	9434M01	LUFTFILTER KIT	PZ 1,0
912	9434C17	MPK SEGMENTI K30	PZ 1,0
921	9434D03	MPK COLL.INTERMEDIO K30-60	PZ 1,0
922	9434H07	MPK MANUT.PV K30-K60	PZ 1,0