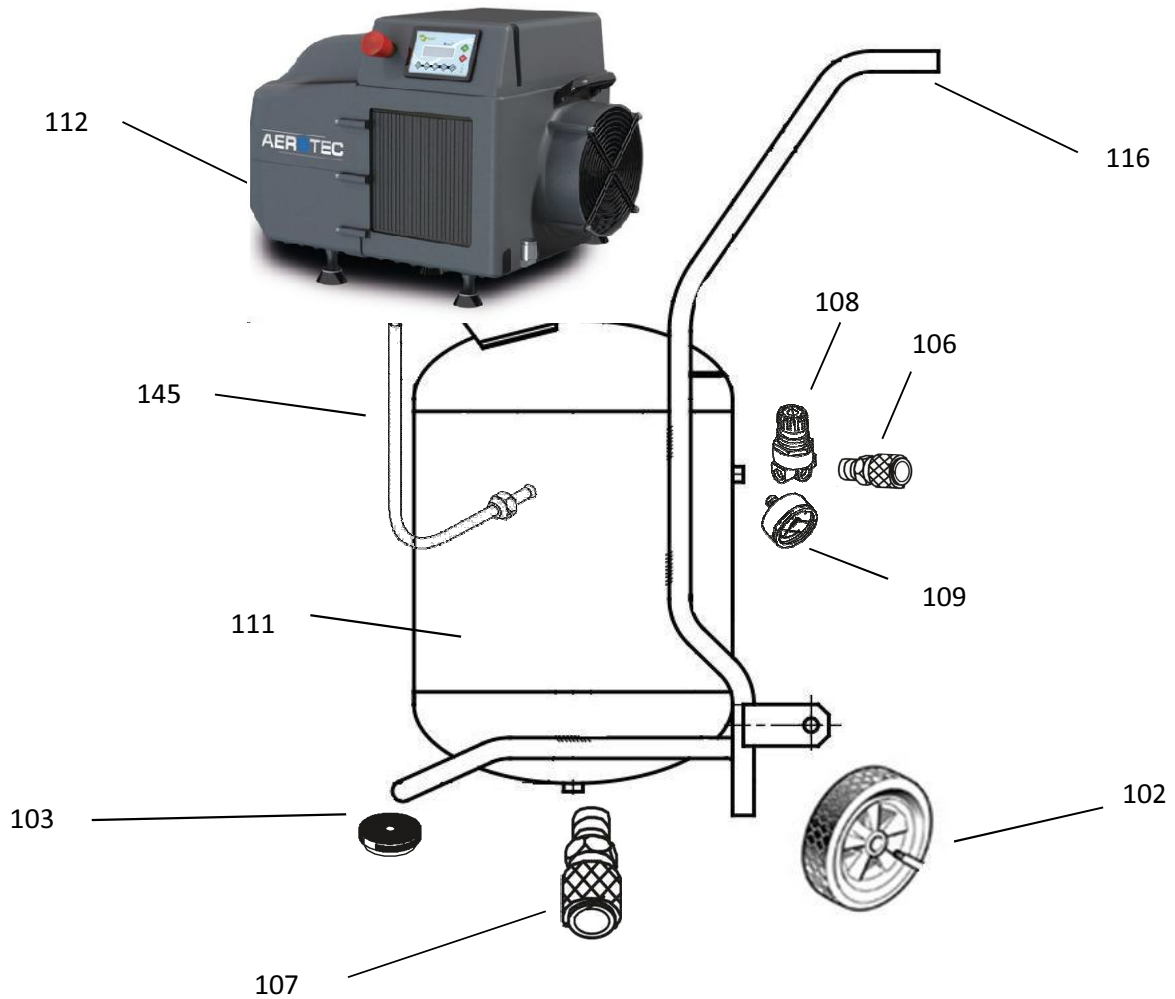
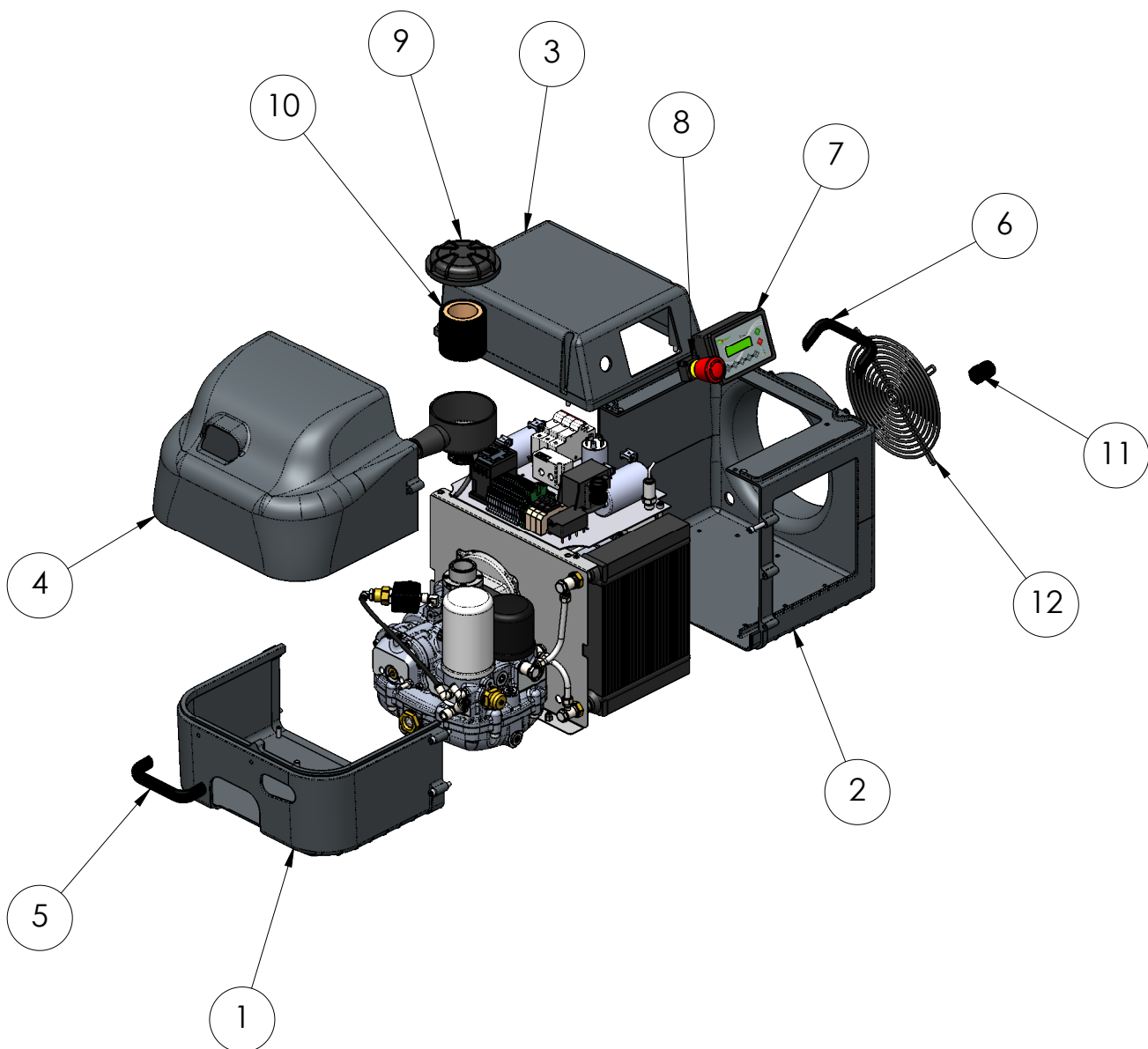


Gerätecode: 25303716  
 Artikelnummer: 25303716  
 Gerätetyp: Aerotec COMPACK SMART 3-90 WORKER

**AEROTEC**



POS	Beschreibung	Code	Preis
102	Radsatz 90 Liter	9420329	
103	Gummipuffer M 8 x 25	20180203	
106	PRO Schnellkupplung Stahl NW 7,2 1/4 Zoll AG	10.771.08	
107	Kugelhahn 3/8 Zoll ECO	9047051	
108	AEROTEC Filter Druckregler FX 3130 1/4 Zoll	2010212	
109	Manometer 16 bar 60 mm	9052070	
110	Sicherheitsventil 3/8 Zoll 11 bar	9049164	
111	Sackkarrenkessel verzinkt	2009726	
112	Compack 3 Schraubenbasis	25303604	
116	Gummi Handgriff für Rohr mit Außen-ø 32 mm	20180201	
145	Verbindungsschlauch 1/2 Zoll 0,75 Meter AG bis 1300L	2009555	
	Schnellkupplung 1/4 Zoll AG	4100811	
	Reduzierung 1/2 Zoll AG x 3/8 Zoll IG konisch vernickelt	20.208.06	
	Reduzierung AG 3/8-1/4 IG konisch vernickelt	20.208.04	
	Doppelnippel 1/4 Zoll	9050373	
	Reduzierung 2 Zoll AG zylindrisch x 1/2 Zoll IG - Stahl	501.024.124	
	Winkelstück 90 ° 1/2 Zoll IG-AG	20.502.05	
	Muffe Reduzierung 3/8 Zoll AG x 1/2 Zoll IG zylind.	10.138.00	
	Doppelnippel 1/2 Zoll x 1/2 Zoll Doppelnippel ms	10.134.08	



<b>N°</b>	<b>Codice Code</b>	<b>Q.tà Q.ty</b>	<b>Descrizione</b>	<b>Description</b>	<b>(*) Rec.</b>
1	A01Z6030	1	GUSCIO INFERIORE COPMACK SMART	COMPACK SP. V2 LOWER SHELL	
2	A01Z6033	1	GUSCIO DESTRO COMPACK SMART	COMPACK SP. V2 RIGHT SHELL	
3	A01Z6031	1	GUSCIO SCATOLA ELETTRICA COMPACK SMART	COMPACK SP. V2 ELECTRIC BOX SHELL	
4	A01Z6032	1	GUSCIO SUPERIORE COMPACK SMART	COMPSACK SP. V2 SUPERIOR SHELL	
5	F06R7547	1	MANIGLIA	HANDLE	
6	F06R7553	1	MANIGLIA INCLINATA	INCLINED HANDLE	
7	C03U2033	1	CONTROLLORE ELETTRONICO Ktronic 8	ELECTRONIC CONTROLLER Ktronic 8	
8	C03U1027	1	PULSANTE DI EMERGENZA	EMERGENCY BUTTON	
9	G07Q0125	1	FILTRO DI ASPIRAZIONE COMPLETO	COMPLETE INLET FILTER	
10	G07Q0120	1	CARTUCCIA FILTRO ASPIRAZIONE	INLET FILTER CARTRIDGE	1
11	C03U1077	1	PRESSACAPO M20X1.5	GLAND M20X1.5	
12	E05S4025	1	GRIGLIA	GRID	

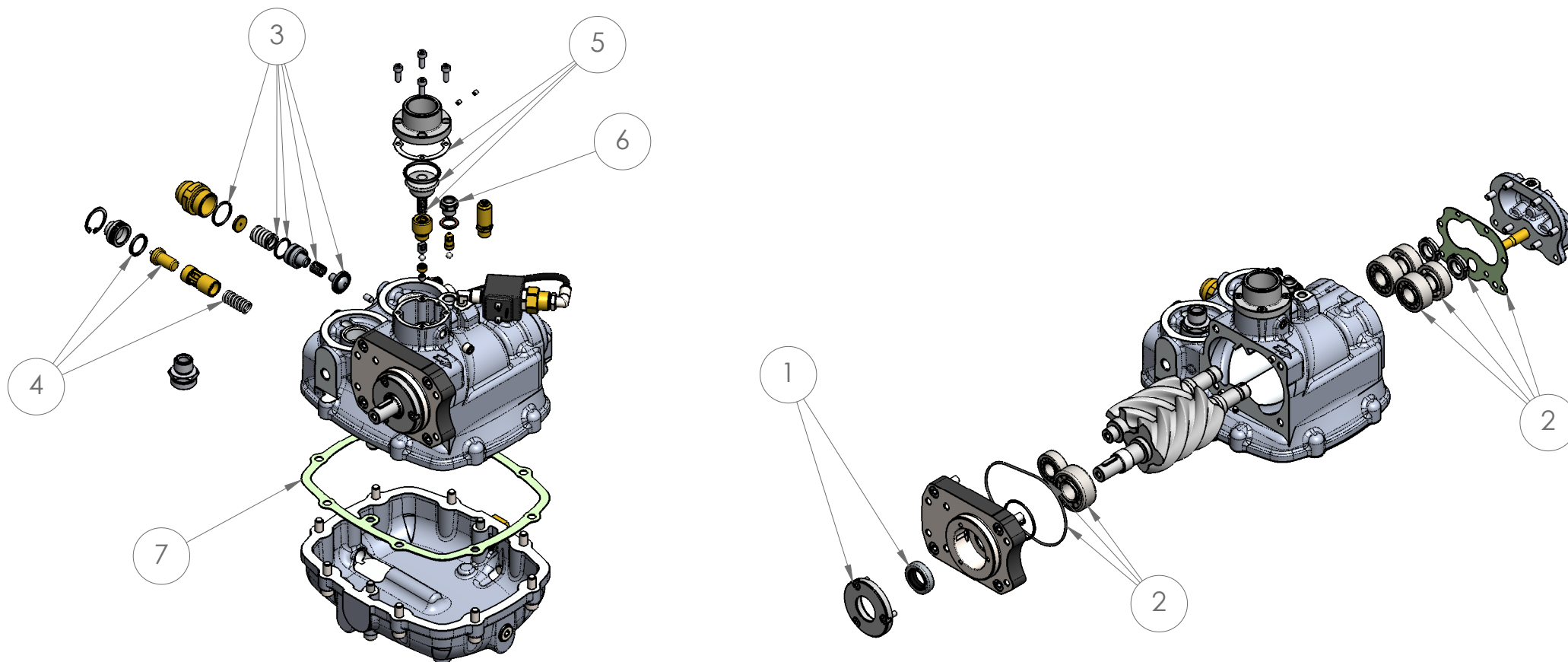
(\*) Ricambi consigliati  
Recommended spare parts



N°	Codice Code	Q.fà Q.ty	Descrizione	Description	(*) Rec.
1	M10M0212 M10M0176 M10M0122	1	ADAM 60/E ADAM S60/E + FLANGIA ADAM S60 CCW	ADAM 60/E ADAM S60/E WITH FLANGE ADAM S60 CCW	
1a	D04T5013 D04T5005	1	FLANGIA ADAM60-MEC90 FLANGIA ADAM60-MEC100	ADAM60-MEC90 FLANGE ADAM60-MEC100 FLANGE	
2	B02V0229 B02V0242 B02V0118	1	MOTORE ELETT. 2.7 kW MEC90 MOTORE ELETT. 3 kW MEC 90 MOTORE ELETT. 4 kW MEC 100	ELECTRIC MOTOR 2.7 kW MEC90 ELECTRIC MOTOR 3 kW MEC 90 ELECTRIC MOTOR 4kW MEC 100	
3	E05S0117	1	SCAMBIATORE OLIO	OIL COOLER	
4	C03U4233 C03U4234	1	CASSETTA ELETTRICA 2.7 kW CASSETTA ELETTRICA 3/4 kW	ELECTRIC BOX 2.7 kW ELECTRIC BOX 3/4 kW	
5	G07Q1003	1	FILTRO DISOLEATORE	AIR/OIL SEPARATOR FILTER	1
6	G07Q1002	1	FILTRO OLIO	OIL FILTER	1
7	C03U1535	1	SONDA TEMPERATURA	TEMPERATURE PROBE	
8	F06R2209	1	POZZETTO SONDA TEMP.	TEMPERATURE SENSOR PORT	
9	F06R7238	1	RONDELLA GUARNIZIONE 1/4"	1/4" BONDED SEALS	
10	D04T3044	1	GHIERA PER ALBERO	RING SHAFT	
11	E05S2019 E05S0220	1	VENTOLA Ø200 PREMENTE VENTOLA Ø200 ASPIRANTE CCW	PRESSING FAN Ø200 SUCTION FAN Ø200	
12	F06R7324	10	RONDELLA	1/4" BONDED SEAL	
13	F06R7550	2	RIDUZIONE 1/4"M - M18 M	1/4" M - M18M REDUCTION	
14	F06R7608	2	DADO BLOCCAGGIO	LOCK NUT	
15	F06R7316	4	RACCORDO AD ANELLO	RING FITTING	
16	F06R7314	4	VITE CAVA SINGOLA CORTA	SHORT SINGLE HOLLOW SCREW	
17	F06R0522	1	TUBO MANDATA OLIO	OIL DELIVERY PIPE	
18	F06R0521	1	TUBO RITORNO OLIO	OIL RETURN PIPE	
19	A01Z2241	1	STAFFA FISSAGGIO RADIATORE	RADIATOR FIXING BRACKET	

(\*) Ricambi consigliati

Recommended spare parts



N°	Codice Code	Descrizione	Description	(*) Rec.
1	N11L3045 N11L3068	KIT RICAMBI PARAOLIO ADAM 60 KIT RICAMBI PARAOLIO ADAM 60 CCW	ADAM 60 SHAFT SEAL SPARE PARTS KIT ADAM 60 CCW SHAFT SEAL SPARE PARTS KIT	
2	N11L3046 N11L3069	KIT RICAMBI CUSCINETTI ADAM 60 KIT RICAMBI CUSCINETTI ADAM 60 CCW	ADAM 60 BEARINGS SPARE PARTS KIT ADAM 60 CCW BEARINGS SPARE PARTS KIT	
3	N11L3011	KIT RICAMBI V.M.P. G10 (1/2 - 3/4)	V.M.P. G10 (1/2 - 3/4) SPARE PARTS KIT	1
4	N11L3040	KIT RICAMBI VALVOLA TERMOSTATICA	THERMOSTATIC VALVE SPARE PARTS KIT	1
5	N11L3006	KIT RICAMBI REGOLATORE ADAM 60	ADAM 60 INTAKE VALVE PARTS KIT	1
6	N11L3048	VISORE RECUPERO OLIO	COMPLETE OIL RECOVERY VIEWER	
7	N11L3080	KIT GUARNIZIONE SERBATOIO ADAM 60	ADAM 60 TANK GASKET PARTS KIT	

(\*) Ricambi consigliati  
Recommended spare parts

TIPO TYPE	<b>Ricambi ADAM 60</b> Adam 60 spare parts	CODICE CODE	<b>COMPACT SMART 2-3</b>	DATA DATE	12/2023	REVISIONE REVISION	00
--------------	---	----------------	--------------------------	--------------	---------	-----------------------	----

HOURS	RICAMBI	SPARE PARTS	MAINTENANCE KIT (MINERAL OIL)	MAINTENANCE KIT (SYNTHETIC OIL)	MAINTENANCE KIT WITHOUT OIL
2000	Filtro aria Filtro olio Filtro disoleatore Olio	Inlet filter cartridge Oil filter Air/oil separator filter Oil	110735	110782	110782
4000	Filtro aria Filtro olio Filtro disoleatore Olio Kit valvola termostatica Kit valvola minima pressione Kit regolatore aspirazione	Inlet filter cartridge Oil filter Air/oil separator filter Oil Thermostatic valve spare parts kit Minimum pressure valve spare parts kit Intake valve spare parts kit	110737	110737-01	110785

TIPO TYPE	<b>Kit manutenzione</b> <i>Maintenance kit</i>	CODICE CODE	<b>COMPACT SMART 2-3</b>	DATA DATE	12/2023	REVISIONE REVISION	00
--------------	---	----------------	--------------------------	--------------	---------	-----------------------	----